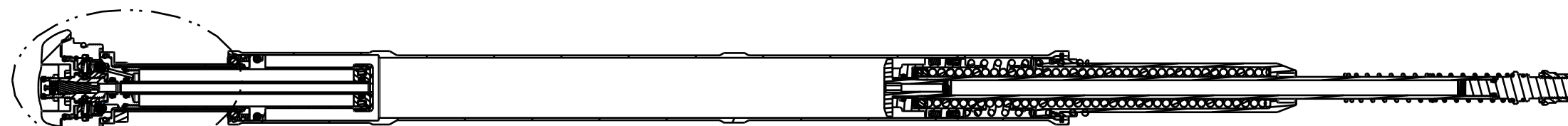


4

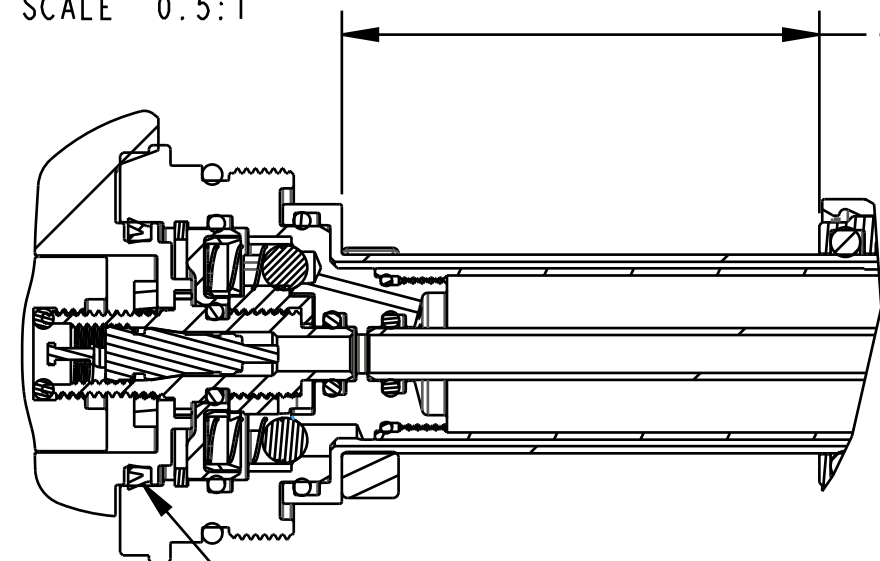
3

2

1



SECTION A-A
SCALE 0.5:1



IMPORTANT:
NOTE ORIENTATION
OF U-CUP SEAL

DETAIL A
SCALE 1.5:1

234-04-478
Travel Adjust Spacer, TALAS 5

GAP MEASUREMENT LOCATION

Retaining Ring: Internal, Smalley WHM-93, 302 SST.

234-04-776
Neg Plate, TALAS 5, for Smalley Ring

OIL:
COAT OD OF SEALS WITH
AIR SPRING LUBRICANT

TORQUE:
50±5 IN.LB.

038-00-125

234-04-776

IMPORTANT:
MAKE SURE RETAINING RING IS FULLY
SEATED IN GROOVE 360 DEGREES

241-01-002

Fastener, Custom: Crush Washer, Plastic, R_RL_RLC

241-00-005

Fastener, Custom: Nut, Bottom, R_RL_RLC

AIR SHAFT ASSEMBLY

234-04-864
CARTRIDGE TUBE

FLOAT FLUID

820-05-264-KIT
TOPCAP ASSEMBLY

029-08-060

Seals: O-Ring [6.0mm ID x 1.5mm CS] Metric, N-70, Static

010-00-050

Air Valve Parts: Tank Valve [5/16-32] w/O-ring Boss

GREASE:
THIN LAYER
OF SLICK HONEY

036-01-043

Seals: U-Cup, Shore 70A, 2013 Fit-CTD and CTD-ADJ

234-04-477
LEVER

241-00-009

NUT, 5/16-32

029-03-008

O-Ring (-008) [.070 C.S. X .176 ID]

234-04-424

Air Cap, TALAS 5

GREASE:
THIN LAYER
OF SLICK HONEY

TORQUE:
40±5 IN.LB.

TORQUE:
25±5 IN.LB.

TORQUE:
220±5 IN.LB.

PROPRIETARY
THIS DOCUMENT CONTAINS CONFIDENTIAL, PROPRIETARY INFORMATION
THAT IS FOX PROPERTY. DO NOT DISCLOSE TO OR DUPLICATE
FOR OTHERS EXCEPT AS AUTHORIZED BY FOX.

FOX Factory, Inc. Ph 831-768-1100
130 Hangar Way, Watsonville, CA 95076 USA Fax 831-768-9312

TITLE
**TALAS 5, No XV Sleeve
Cartridge Assembly, Smalley, Complete**

SIZE DWG. NO.

C

PLOT SCALE 0.60:1

SHEET 1 OF 1

ProE ASSEM